

Edge protection seal profiles

Material combination PVC / EPDM

SPECIFICATION

Types

- Type **A**: Upper seal profile
- Type **D**: Side seal profile

Clamping profile

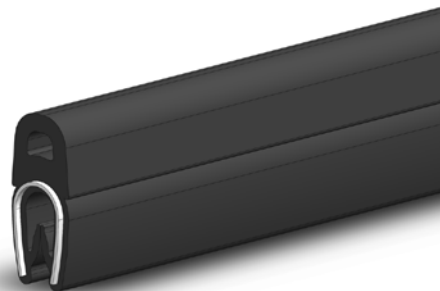
Polyvinyl Chloride (PVC)
Hardness 70±5 Shore A

Sealing profile

Ethylene propylene diene rubber (EPDM)
Hardness 25±5 Shore A

Clamp insert

- Steel clamping band
- black
- temperature resistant -40 °C to 90 °C
- weather exposure



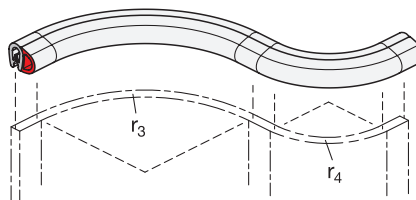
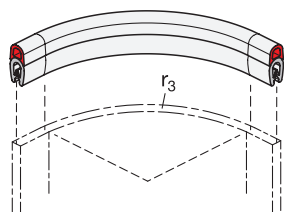
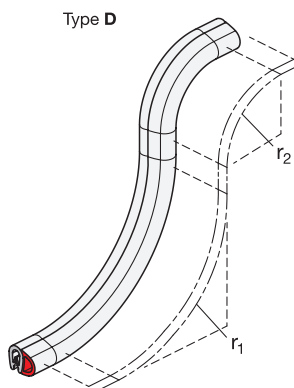
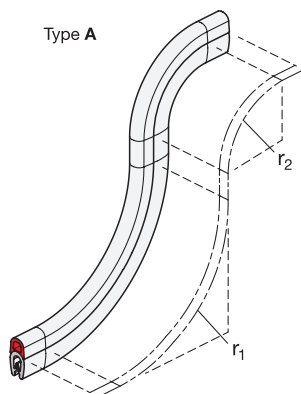
INFORMATION

Edge protection seal profiles GN 2182 can be used to seal doors, covers and hatches. The profiles are pressed by hand onto the front of metal sheets and plates. The embedded clamp insert prevents detachment. Glue or other adhesives are not required.

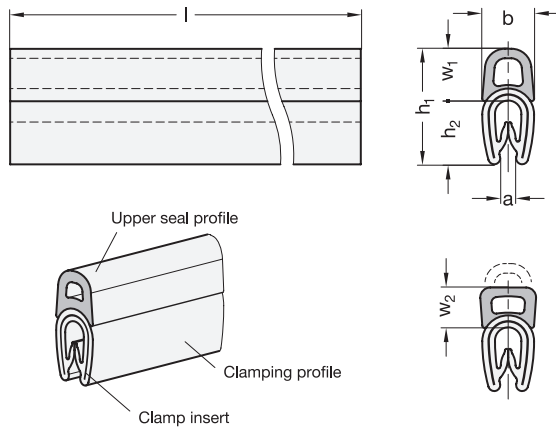
When assembled, the profile should deform slightly according to w_2 . This ensures an optimal seal. Adherence to the guideline placement radii ($r_1...r_4$) is recommended in order to ensure a tight profile seal and to make assembly easier.

TECHNICAL INFORMATION

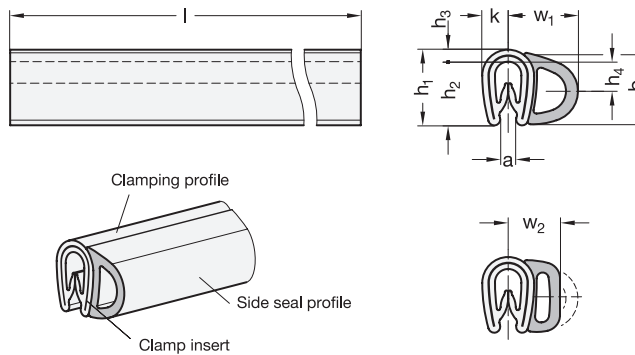
- Technical information for edge protection profiles (see page 1548)



Type A



Type D



GN 2182

Description	h1	Cutting length l in m	a	b	h2	h3	h4	k	r1	r2	r3	r4	w1	w2 up to 50% permissible deformation	⚖
GN 2182-14,5-A-20	14.5	20	1-2	6.5	8	-	-	-	40	20	10	-	6.5	5.25	1650
GN 2182-14,5-A-50	14.5	50	1-2	6.5	8	-	-	-	40	20	10	-	6.5	5.25	4100
GN 2182-9,5-D-20	9.5	20	1-2	9	8	1.5	4	3.25	15	20	30	50	8.75	6.75	1650
GN 2182-9,5-D-50	9.5	50	1-2	9	8	1.5	4	3.25	15	20	30	50	8.75	6.75	4100

